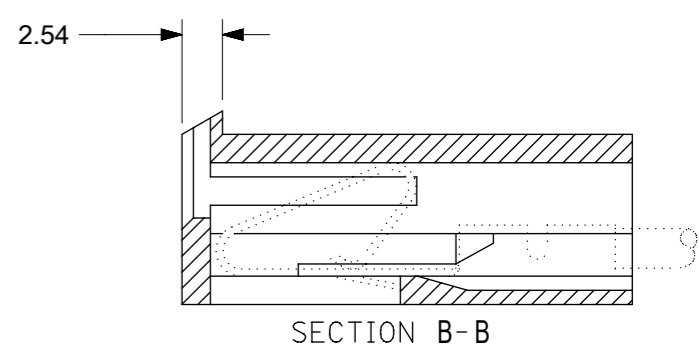


12	91813-9012	91813-9112	55.88 +0.50 -0.25	60.96 +0.60 -0.30
11	↑ -9011	↑ -9111	50.80 +0.45 -0.20	55.88 +0.55 -0.30
10	-9010	-9110	45.72 +0.30 -0.20	50.80 +0.40 -0.20
9	-9009	-9109	40.64 +0.25 -0.20	45.72 +0.40 -0.20
8	-9008	-9108	35.56 ±0.20	40.64 +0.35 -0.20
7	-9007	-9107	30.48 ±0.20	35.56 +0.30 -0.20
6	-9006	-9106	25.40 +0.15 -0.10	30.48 +0.25 -0.20
5	-9005	-9105	20.32 +0.15 -0.10	25.40 +0.25 -0.15
4	-9004	-9104	15.24 ±0.10	20.32 +0.20 -0.15
3	↓ -9003	↓ -9103	10.16 ±0.10	15.24 +0.20 -0.15
2	91813-9002	91813-9102	5.08 ±0.10	10.16 +0.10 -0.15
CKT. SIZE	PART NO. WITHOUT RAMP	PART NO. WITH RAMP	A	B
DIMENSION				

HOUSINGS WITH VOIDED CIRCUITS

5		91813-9121	20.32 +0.15 -0.10	25.40 +0.25 -0.15	2, 4
CKT. SIZE	PART NO. WITHOUT RAMP	PART NO. WITH RAMP	A	B	VOIDED CIRCUIT
DIMENSION					



- NOTE:
1. MATERIAL: POLYAMIDE (PA6), UL-94V-2  
COLOR: WHITE
  2. FINISH: N/A
  3. PRODUCT SPECIFICATION: PS-99020-0087
  4. CIRCUIT 1 MAY OR MAY NOT LINE UP WITH CIRCUIT 1 OF THE MATING PART.
  5. THIS PART CONFORMS TO CLASS B REQUIRMENTS OF COSMETIC SPECIFICATION PS-45499-002.
  6. THIS HOUSING USES KK TERM. No's. 2478, 2578 & 2878.
  7. COLOR VARIATION MAY BE VISIBLE ON THE HOUSING SURFACES.

QUALITY SYMBOLS ▽A = 0 ▽E = 0 ▽B = 0 ▽ = 0 ▽C = 0 ⊠ = 0 ■ = 0 ▽ = 0	THIS DRAWING CONTAINS INFORMATION THAT IS PROPRIETARY TO MOLEX ELECTRONIC TECHNOLOGIES, LLC AND SHOULD NOT BE USED WITHOUT WRITTEN PERMISSION			
	EC NO: 171927 DRWN: PKH CHK'D: SS06 APPR: ISHWARG	2017/11/15 2018/02/06 2018/02/08	GENERAL TOLERANCES (UNLESS SPECIFIED) MM INCH 4 PLACES ± ± 3 PLACES ± ± 2 PLACES ± 0.25 ± 1 PLACES ± 0.35 ± 0 PLACES ± ± ANGULAR TOL = 0.5 DRAFT WHERE APPLICABLE MUST REMAIN WITHIN DIMENSIONS	DIMENSION UNITS MM SCALE 4:1 DRWN BY DWASZKIEWICZ DATE 2006/06/08 CHK'D BY J.DENNEHY DATE APPR BY FSMITH DATE 2010/12/06
D REV APPR: ISHWARG	A3 THIRD ANGLE PROJECTION	SERIES 91813 MATERIAL NUMBER SEE CHART CUSTOMER GENERAL MARKET	DOCUMENT NUMBER SD-91813-001 DOC TYPE PSD DOC PART 001 SHEET NUMBER 1 OF 1	